

D5-Tube / D5-Ceiling Data Sheet

D5-Tube / Ceiling

2-Way Passive
Installation System



The CODA D5-Tube / D5-Ceiling is a passive 2-way 5"/1" coaxial loudspeaker system designed without compromise to provide a true one point source in an ultra compact package.

The cabinet contains a high power 5" woofer and a coaxially mounted neodymium driver with 44.4 mm voice coil. The advanced design aligns the acoustical centres of the transducers to produce a single point source. This unique loudspeaker technology provides a coherent wave front without hot spots. Precise directivity of 90° conical ensures uniform coverage with perfect time alignment between the components.

Supported with a full range of mounting and flying accessories the D5-Ceiling sets a state of the art solution for almost any high quality, near field installed sound reinforcement applications.

Also available as D5-Tube supplied with a U-bracket.

D5-Tube / D5-Ceiling Features

- ⊕ Ultra compact 2-way coaxial system
- ⊕ 5"/1" coaxial loudspeaker
- ⊕ Attractive solid aluminium design
- ⊕ Single point source system providing coherent wave front
- ⊕ Superb quality sound
- ⊕ Impedance 16 Ohm for easy daisy chaining

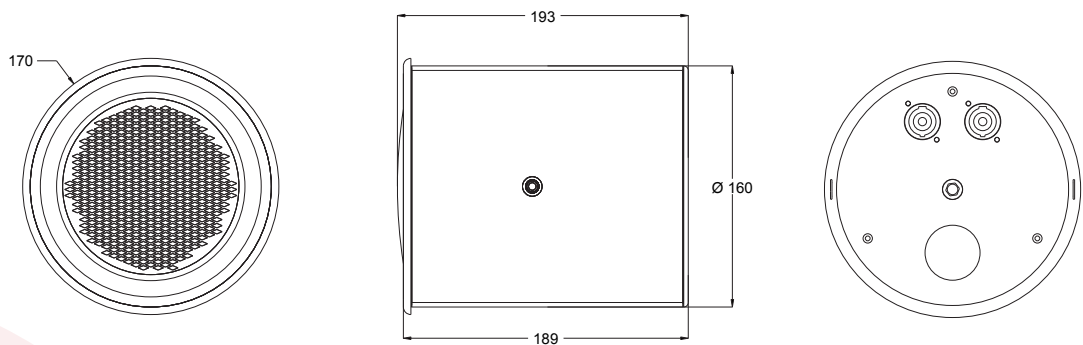


D5-Tube / D5-Ceiling Data Sheet



Product type:	2-way coaxial ultra compact
Dimensions (WxHxD):	D5-Ceiling: 170 x 193 mm / 6.69 x 7.6" Ceiling cut out: : ø 160 mm / ø 6.3"
Dimensions including hardware (WxHxD):	N/A
Net weight:	4 kg / 8.82 lbs
Frequency response:	90 Hz – 21 kHz (-6 dB)
Power handling AES / peak (passive):	125 W
- Low AES / peak:	N/A
- Mid / High AES / peak:	N/A
Max. peak SPL (with LINUS10):*	117 dB
Dispersion horizontal:	90° conical
Dispersion vertical:	N/A
Components Low frequency:	5" woofer, 1.5" (38 mm) voice coil, 120 W (AES)
Components Mid/High frequency:	1" coaxially mounted driver, 1.75" (44.4 mm) voice coil, 80 W (AES)
Crossover point:	1600 Hz passive
Input connectors:	2x Neutrik™ NL4MP
Nominal impedance LF / MF+HF:	16 Ω
Enclosure material:	Solid aluminium (all RAL-colours optional available)
Suspension:	6x M8 threaded points for use with optional U-bracket

*Measured with pink noise 6 dB crest factor. Half-space loading.



Other D-Series Related Products



U12/12i
Ultra Compact Subwoofer



U15
Compact Subwoofer



LINUS5-C
4-Channel Loudspeaker
Management Amplifier

CODA AUDIO GmbH

Boulevard der EU 6, 30539 Hannover, Expo Park, Germany
E-Mail: contact@codaaudio.com Website: www.codaaudio.com

CODA
CODA AUDIO

