

# HOPS5 Data Sheet

## HOPS5

2-Way, High-Output  
Point Source  
Loudspeakers



The HOPS5, HOPS8T, and HOPS8i are ultra-compact, full-range two-way loudspeakers, designed for small venues and near-field applications where high power and symmetrical coverage are required.

The HOPS series benefits from advanced CODA Audio transducer technology. The HOPS5 contains a 5" neodymium coaxial driver paired with a 5" low-frequency cone driver. This design dramatically reduces the distortion at longer excursion distances, and improves the overall sound quality, providing a smooth and

linear response and deep, punchy bass. All drivers in the HOPS series exhibit high efficiency and ultra-low distortion.

Operating as a point source system, HOPS loudspeaker components are aligned to provide precise directivity and uniform coverage, resulting in a wide, conical 100-degree dispersion. The compact size and high peak SPL of the HOPS loudspeakers make them well-suited for mobile applications and public address.

The HOPS series features multiple rigging options. Mounting points on the HOPS5 allow for installation with optional U-brackets and flange mounts available from CODA Audio.

Paired with a compact CODA Audio subwoofer such as the U12, U15 or G15-SUB, HOPS loudspeakers form a complete system that is powerful, compact, and efficient.

These speakers can be used for corporate events or exhibitions, DJ foldback, sound reinforcement for small clubs, or even as stage monitors or front fills at a live show. In the theatre, they work great as under balcony fills.

### HOPS5 Features

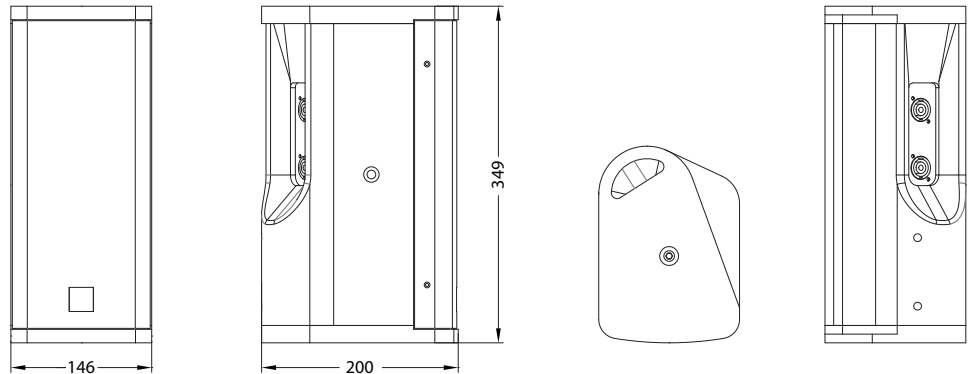
- ⊕ 2-way coherent point source
- ⊕ Double 5" coaxial system
- ⊕ Symmetrical coverage of 100°
- ⊕ System integration with LINUS loudspeaker management amplifiers
- ⊕ Multiplex enclosure with polyurea coating for extreme durability and water protection
- ⊕ Compact and versatile with multiple mounting options

# HOPS5 Data Sheet



Product Type	Ultra-compact 2-way full-range versatile system
Dimensions (WxHxD):	146 x 349 x 200 mm 5.75 x 13.74 x 7.87 "
Dimensions Including Hardware (WxHxD):	N/A
Net Weight	6.4 kg / 14.1 lb
Frequency Response	80 Hz – 20 kHz (-6 dB)
Power handling AES / peak (passive):	300 W / 1200 W
- Low AES / peak:	N/A
- Mid / High AES / peak:	N/A
Max. peak SPL (with LINUS10):*	124 dB
Dispersion Horizontal:	100° Conical
Dispersion Vertical:	N/A
Components Low frequency:	One 5-inch neodymium, water-resistant cone driver 1.5-inch (38.1 mm) voice coil; 150 W (AES)
Components Mid/High frequency:	One 5-inch / 1.75-inch coaxial driver: 1.5-inch (38.1 mm) voice coil; 150+80 W (AES)
Crossover point:	1500 Hz passive
Input Connectors:	2x Neutrik™ NLT4MP
Nominal impedance LF / MF+HF:	8 Ω (1+/1-)
Enclosure material:	Birch plywood
Suspension	Fixing points

\*Measured with pink noise 6 dB crest factor. Half-space loading.



## Other HOPS System Products



**U12/12i**  
Ultra Compact Subwoofer



**U15**  
Compact Subwoofer



**LINUS5-C / LINUS10-C**  
4-Channel Loudspeaker  
Management Amplifiers

### CODA AUDIO GmbH

Boulevard der EU 6, 30539 Hannover, Expo Park, Germany  
E-Mail: [contact@codaaudio.com](mailto:contact@codaaudio.com) Website: [www.codaaudio.com](http://www.codaaudio.com)

**CODA**  
CODA AUDIO

